

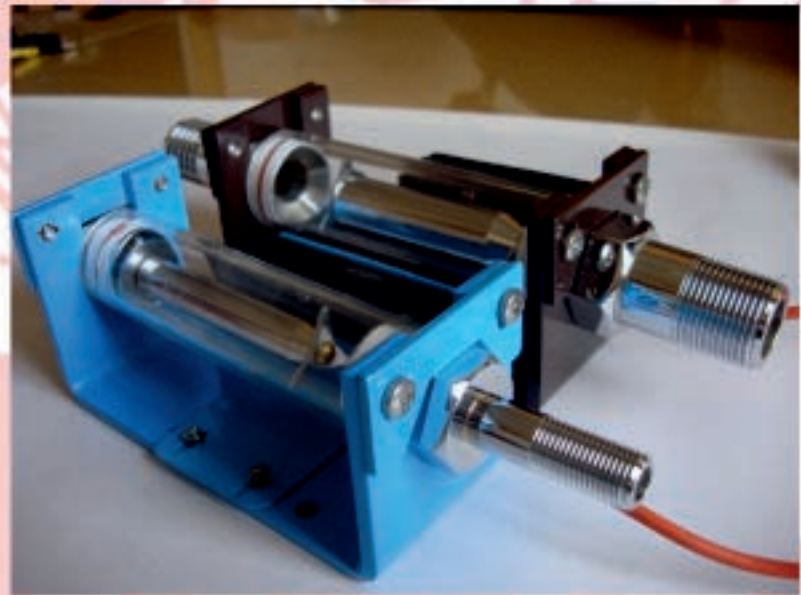
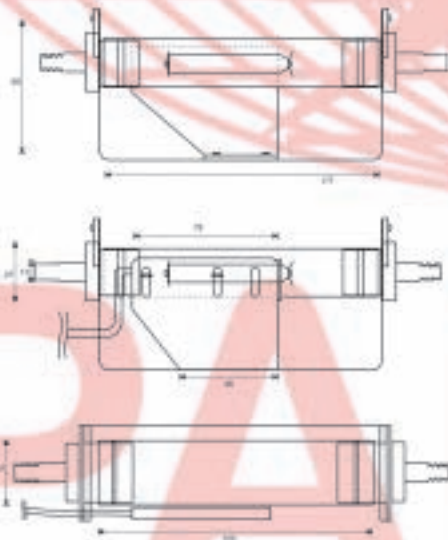


PARAS

PARASNATH

Flow Switches

FLOW RATE	: 2 GPM, 4 GPM, 6 GPM, 8 GPM, 10 GPM
SWITCH RATING	: 25 Watts, Reed Switch
PIPE	: Acrylic
Float, Nipple & Washer	: Brass
Nuts & Screws	: SS
Base, Side Clamps & Switch Clamp	: Aluminium
Magnet	: Alnico 8. MAKE : PARAS



PARASNATH ELECTRONICS Pvt. Ltd
MODEL NO : -PE-FLOW S.
Drawing NO : -
Make - PARAS
Dimension :- All Dim in mm